



Dopyt



TERMOČLÁNKY

Séria TC53

TC53-14371851

Termočlánok Type K 0-1260°C 10x6mm L=3m PTFE

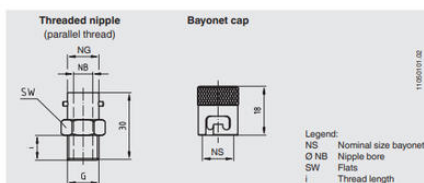
- Teplota -40°C až 1200°C
- K, J, E, N, T
- Kabel PVC, Silicon, PTFE, Sklenené vlákno
- ATEX, IECEX, GOST



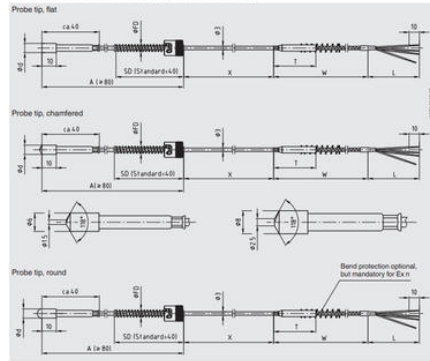
POPIS PRODUKTU

ŠPECIFIKÁCIA

Dĺžka kábla	3000 mm
Insertion length	10 mm
Materiál kábla	PTFE
Materiál kontaktnej časti	Nerezová oceľ 316Ti
Materials Panic Ring	Mosadz
Plug diameter	6 mm
Prevádzková teplota max.	1260 °C
Prevádzková teplota min.	0 °C
Temperature resistance of cable from	-50 °C
Temperature resistance of cable to	250 °C

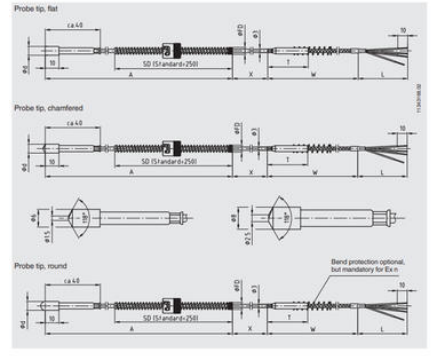


Bayonet cap fixed to the end of the spring (sheathed cable design)



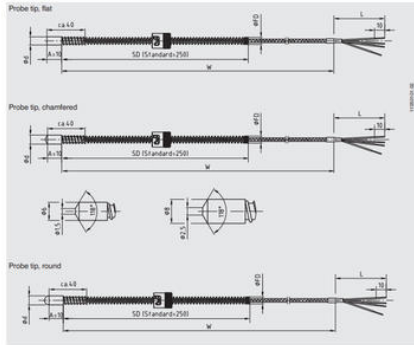
- Legend
- Ø S Probe diameter
 - L Probe length
 - W Cable length
 - Ø D Spring diameter
 - A Insertion length
 - X Probe extension
 - T Transition sleeve
 - SD Spring length

Bayonet cap adjustable on the spring (sheathed cable design)



- Legend
- Ø S Probe diameter
 - L Probe length
 - W Cable length
 - Ø D Spring diameter
 - A Insertion length
 - X Probe extension
 - T Transition sleeve
 - SD Spring length

Bayonet cap adjustable on the spring (cable through the probe tip)



- Legend
- Ø S Probe diameter
 - L Probe length
 - W Cable length
 - Ø D Spring diameter
 - A Insertion length
 - X Probe extension
 - T Transition sleeve
 - SD Spring length