



Dopyt

SNÍMAČE TEPLOTY

Séria TSD-30

TSD30-45719444

Snímač teploty M12x1 4-pin -20-80°C 25mm PNP G1/2"



- Rozsah -20 až 150°C
- Pripojenie G, NPT
- Výstup 4-20mA, 0-10V, spínací
- Médiá voda, plyny, oleje
- IO-Link

POPIS PRODUKTU

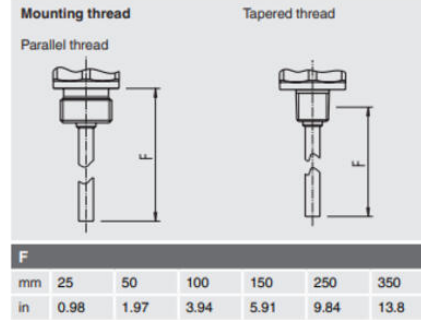
ŠPECIFIKÁCIA

Elektrické pripojenie	M12x1
Insertion length	25 mm
Materiál kontaktnej časti	Nerezová oceľ
Materiál tela	Nerezová oceľ
Napájacie napätie DC max.	35 V DC
Napájacie napätie DC min.	15 V DC
Plug diameter	6 mm
Pozícia pripojenia	Spodný
Procesné pripojenie	G1/2
Teplota média do	80 °C
Teplota média od	-20 °C
Teplota okolia do	80 °C
Teplota okolia od	-20 °C

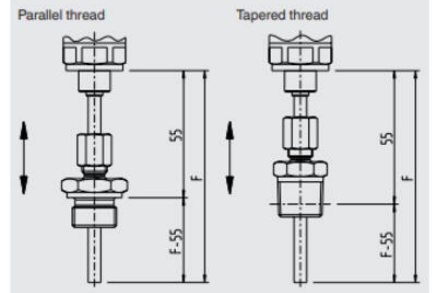
Output signal

Selectable versions	Switching output		Analogue signal
	SP1	SP2	
Option 1	PNP	-	4 ... 20 mA (3-wire)
Option 2	PNP	-	DC 0 ... 10 V (3-wire)
Option 3	PNP	PNP	-
Option 4	PNP	PNP	4 ... 20 mA (3-wire)
Option 5	PNP	PNP	DC 0 ... 10 V (3-wire)

Probe length (F)



Compression fitting



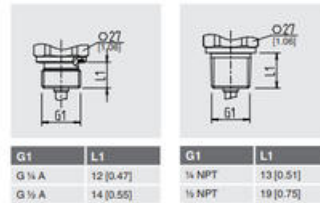
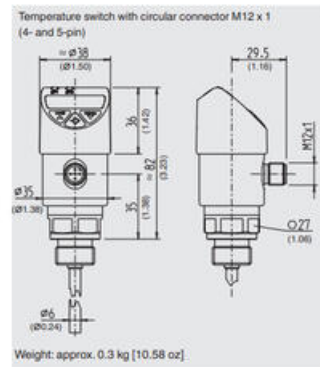
Circular connector M12 x 1 (4-pin)



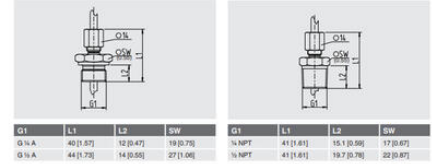
Circular connector M12 x 1 (5-pin)



Dimensions in mm (inch)



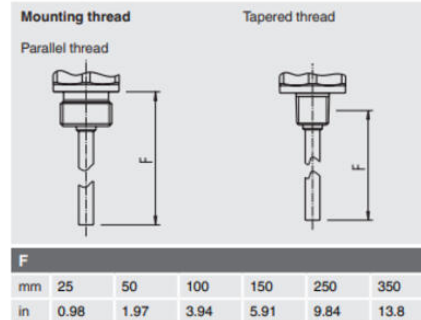
Compression fittings



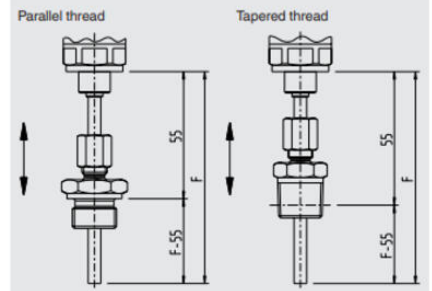
Output signal

Selectable versions	Switching output		Analogue signal
	SP1	SP2	
Option 1	PNP	-	4 ... 20 mA (3-wire)
Option 2	PNP	-	DC 0 ... 10 V (3-wire)
Option 3	PNP	PNP	-
Option 4	PNP	PNP	4 ... 20 mA (3-wire)
Option 5	PNP	PNP	DC 0 ... 10 V (3-wire)

Probe length (F)



Compression fitting



Circular connector M12 x 1 (4-pin)



U+	1
U-	3
S+	2
SP1 / C	4
SP2	2

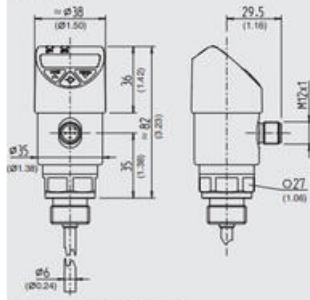
Circular connector M12 x 1 (5-pin)



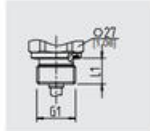
U+	1
U-	3
S+	5
SP1 / C	4
SP2	2

Dimensions in mm (inch)

Temperature switch with circular connector M12 x 1
(4- and 5-pin)



Weight: approx. 0.3 kg [10.58 oz.]

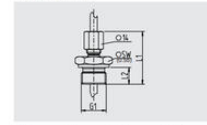


G1	L1
G 1/4 A	12 [0.47]
G 3/4 A	14 [0.55]

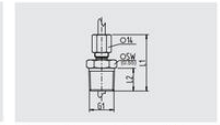


G1	L1
1/4 NPT	13 [0.51]
1/2 NPT	19 [0.75]

Compression fittings



G1	L1	L2	SW
G 1/4 A	40 [1.57]	12 [0.47]	19 [0.75]
G 3/4 A	44 [1.73]	14 [0.55]	27 [1.06]



G1	L1	L2	SW
1/4 NPT	41 [1.61]	15.1 [0.59]	17 [0.67]
1/2 NPT	41 [1.61]	19.7 [0.78]	22 [0.87]